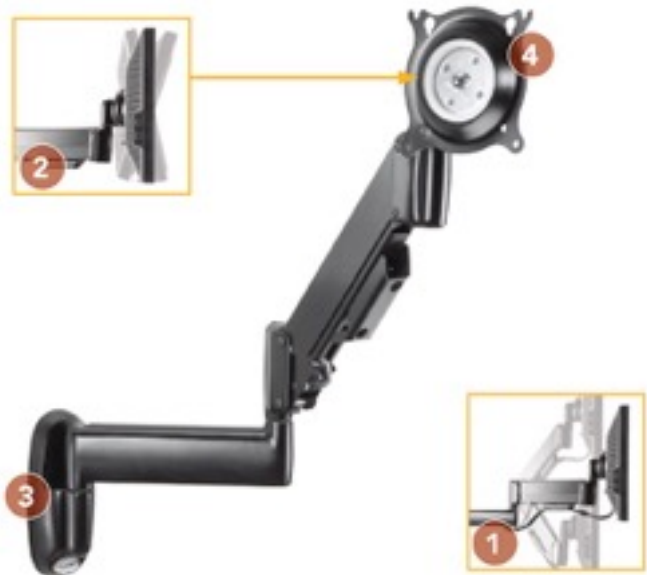


KWG110™ □ HEIGHT-ADJUSTABLE DUAL ARM WALL MONITOR MOUNTS

FEATURES

- 1 FINGERTIP HEIGHT ADJUSTMENT**
Adjust viewing height up to 13.25" (337 mm). Optimize height adjustment for any display with customizable tension.
- 2 CENTRIS® TECHNOLOGY PATENTED FEATURE**
Provides smooth fingertip tilt in all directions using the screen's center of gravity. Screen angle stays set until you decide to readjust.
- 3 COMPATIBLE WITH OFFICE FURNITURE**
Custom OFB office furniture interface brackets available for most office systems. (OFB brackets sold separately)
- 4 ADVANCED DISPLAY MOUNTING**
Teardrop hole pattern makes mounting the screen quick and easy.



SPECIFICATIONS

Depth from Wall	2.19" (56 mm)
Max. Extension	19.5" (495 mm)
Height Adjustment	13.25" (337 mm)
Tilt	±15°
Weight Capacity	5-25 lbs (2.3 - 11.4 kg)
Colors	Black, Silver

WHAT YOU NEED TO KNOW

OTHER PRODUCT OPTIONS



KWV110
Height-Adjustable
Single Arm Mount

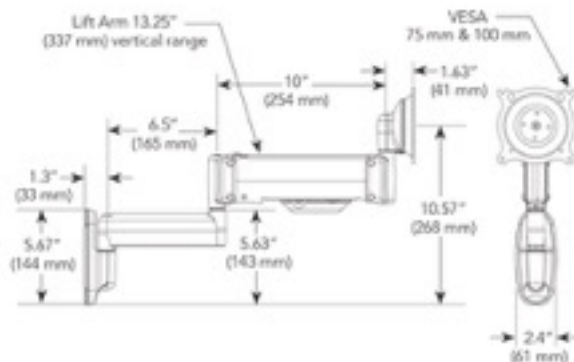


KWB110
Height-Adjustable
Triple Arm Mount



KWGSK110
Height-Adjustable Steel Stud Mount

TECHNICAL DRAWINGS



RECOMMENDED ACCESSORIES



KSA1003 ■ Extension Arm
- Maximum of 3 arms
- Weight capacity is reduced to 30 lbs (13.6 kg)



KSA1021 ■ Keyboard Tray Accessory